

International Safety Technology Limited

STATUS LAMP EExe(m), Weatherproof SL5 Range



NOW AVAILABLE IN LED VERSION



Introduction

Manufactured in GRP, with a high ingress protection and high light output, these status lamps have been designed for use in potentially explosive atmospheres and harsh environmental conditions such as those found offshore and onshore in the petrochemical industries.

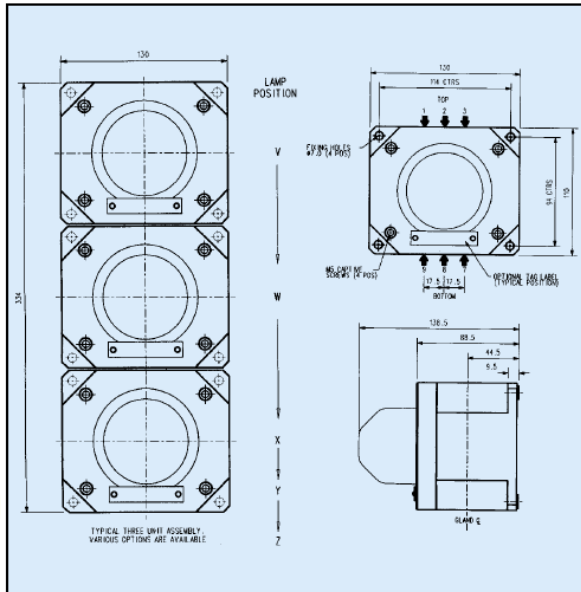
A long life, high intensity, LED version is now available.

- ★ Zone 1 and Zone 2 use.
 - ★ EExe(m) II T3/T4.
 - ★ ATEX approved, Ex II 2G.
 - ★ BASEEFA certified.
 - ★ Chinese (CQST) certified.
 - ★ IP66 and IP67.
 - ★ Certified temperature -40°C to $+55^{\circ}\text{C}^*$.
 - ★ Corrosion resistant GRP.
 - ★ Filament lamps (up to 5 pairs).
 - ★ Xenon & LED versions available.
 - ★ Various lamp colours.
 - ★ Lightweight.
 - ★ Retained stainless steel cover screws.
- *Depending on version.

International Safety Technology Limited
692775
11, Moor Road, Broadstone,
Dorset, BH18 8AZ
United Kingdom

Tel: +44 1202

Fax: +44 1202 605588
email sales@ist-limited.com
web www.ist-limited.com



Specification

Certification: CENELEC EN50014, 19 & 28.

Cert. No. BAS02ATEX2108X.

EExem II T3/T4. Zones 1 & 2.

Chinese (CGST) - Exem II T4, LED
- Exe II T3, Filament
- Exem II T4, Xenon

Material: UV stable, glass reinforced polyester with polycarbonate wellglass. Captive stainless steel cover screws.

Finish: Body natural black or painted to client specifications.

Weight: 1.2kg 1 way.

Certified: -40°C to +55°C (Filament & Xenon).

Temperature: -40°C to +45°C (LED).

Ingress

Protection: IP66 and IP67.

Voltages: d.c. - 12V, 24V, 48V.

a.c. - 110V, 220V, 240V, 254V, 260V.

Note: Xenon & LED versions only available in 24V and 48V.

Current Consumption:

	Voltage:	24V	48V
Xenon	Current:	120mA	95mA
LED	Current:	130-180mA	70-90mA

Light Module: Up to 5 ways - Filament: 2 x 5W.

Xenon: 1J (nominal).

LED: Up to 400Cd.

Light Module Filament & Xenon: Red, Amber, Yellow,

Colours: Green, Blue or Clear.

LED: Red, Amber, Green.

Terminals: Filament: Max 12 x 4mm².

Xenon: Max 16 x 2.5mm².

LED: Max 16 x 2.5mm² or 4mm².

Wiring: Standard configuration of internal wiring is to common the negative/neutral connections. If individually wired lamps are required, please state.

Labels: Optional stainless steel tag/duty label.

Entries:

Size	Maximum Number	Entry Positions	
		Top	Bottom
M16	2	Any	Any
M20	2	Any	Any
M25/M32	1	2	8

Ordering Requirements

The following code is designed to help in the selection of the correct unit. Build up the reference number by inserting the code for each component into the appropriate box.

Unit	Type	Lamp Type Positions					Voltage	Cable Entries	Duty/Tag Label	Finish				
SL5		V	W	X	Y	Z								
Type	Code	Indicate light module type					*Voltage	Code	Entries	Code	Label	Code		
Uncertified	W	Filament 1	LED				3	12V d.c.	012	M16	*A	Duty Label	D*	
EExe(m)	E	Xenon 2	LED Flashing				4	24V d.c.	024	M20	*B	Tag	T*	
Chinese (CGST)	Q	Suffixed by colour required*							48V d.c.	048	M25	*C	None	N
		Lamp Colours						110V a.c.	110	M32	*D	*Specify wording.		
		Red	R					220V a.c.	220	*Prefix with cable entry position. (See diagram above)				
		Amber	A					240V a.c.	240	E.g. 7A, 9A.				
		Yellow	Y					254V a.c.	254	*Please specify				
		Blue	B					260V a.c.	260	Natural Black			N	
		Green	G					*Note: Xenon and LED versions are only available in 24V and 48V d.c.			Red	R		
		Clear	C					EXAMPLE: A two way EExe certified unit, with filament lamps coloured red top, blue bottom, rated 240V, with 2 x M20 bottom entries, finished in red would be our ref: SL5EV1RW1B2407B9BNS.			Special	S*		

International Safety Technology Limited
692775

11, Moor Road, Broadstone,
Dorset, BH18 8AZ
United Kingdom

Tel: +44 1202

Fax: +44 1202 605588
email sales@ist-limited.com
web www.ist-limited.com