

## International Safety Technology Limited

**SOUNDERS – Up to 110 dB(A)**  
Intrinsically Safe (EExia), Weatherproof  
DB7 Range



Now GOST  
Certified

Highest Output 15  
Sounder Available

### Introduction

This range of ruggedised, intrinsically safe and weatherproof sounders, intended for use in potentially explosive atmospheres, has been designed with high ingress protection to cope with the harsh environmental conditions found offshore and onshore in the oil, gas and petrochemical industries.

The unit is available in 12V and 24V versions and for gas groups IIB or IIC.

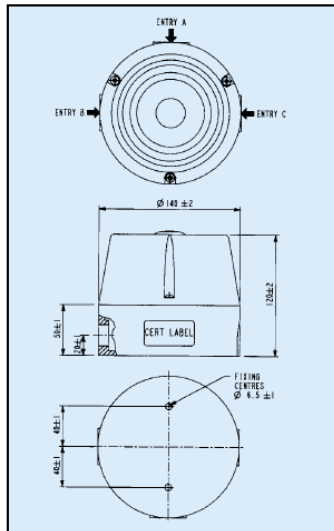
A lower cost, uncertified version is available for use in non-explosive atmospheres.

- ★ Zones 0, 1, 2 and safe area use.
- ★ EExia IIB/IIC T4.
- ★ ATEX approved Ex II 1G.
- ★ Weatherproof uncertified version.
- ★ BASEEFA certified.
- ★ GOST 'R' certified.
- ★ IP66 & IP67.
- ★ Certified temperature -55°C to +70°C.
- ★ Corrosion resistant red GRP.
- ★ Up to 110 dBA output.
- ★ 27 tones, user selectable.
- ★ Tones comply with UKOOA/PFEER guidelines.
- ★ Any two tones may be switched by the external voltage supply.
- ★ Retained stainless steel cover screws.

International Safety Technology Limited  
692775  
11, Moor Road, Broadstone,  
Dorset, BH18 8AZ  
United Kingdom

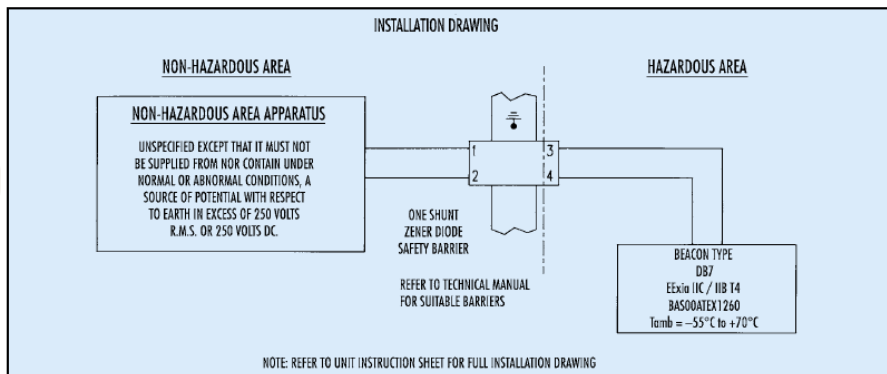
Tel: +44 1202

Fax: +44 1202 605588  
email [sales@ist-limited.com](mailto:sales@ist-limited.com)  
web [www.ist-limited.com](http://www.ist-limited.com)



## Specification

Certification:	CENELEC EN 50014, 20 & 39. Certificate No. BAS00ATEX 1260 (apparatus). Certificate No. 96D2362 (system). EExia IIC T4 or EExia IIB T4. Zones 0, 1 & 2. GOST 'R' Certification: 0Exia IIC T4, 0Exia IIB T4.
Material:	UV stable glass reinforced polyester. Retained stainless steel cover screws.
Finish:	Self coloured red as standard or epoxy coated to customer's specification.
Sound Output:	107± 3dB(A) at 1 metre for 12V and 24V IIB versions. 103± 3dB(A) at 1 metre for 12V and 24V IIC versions. Typical value only – variable with tone.
Tone Selection:	Switchable between any two of the 27 tones by reversing the polarity of the supply.
Weight:	1.0 kg.
Certified Temperature:	-55°C to +70°C.
Ingress Protection:	IP66 & IP67.
Voltage:	12V or 24V via suitable barrier.
Current Consumption:	24V models 34mA – 68mA. 12V models 25mA – 55mA.
Terminals:	8 x 2.5mm <sup>2</sup> .
Labels:	Duty and tag labels available.
Cable Entries:	Up to 3 x M20 via knockouts.



## Ordering Requirements

The following code is designed to help in selection of the correct unit. Build up the reference number by inserting the code for each component into the appropriate box. **For standard products, available ex-stock, contact sales office for details.**

Unit Type	Certification	Voltage	Labels	Colour																																
DB7P																																				
	<table border="1"> <thead> <tr> <th>Certification</th> <th>Code</th> </tr> </thead> <tbody> <tr> <td>Uncertified</td> <td>W</td> </tr> <tr> <td>ATEX/CENELEC IIB</td> <td>BB</td> </tr> <tr> <td>ATEX/CENELEC IIC</td> <td>BC</td> </tr> <tr> <td>GOST 'R' IIB</td> <td>GB</td> </tr> <tr> <td>GOST 'R' IIC</td> <td>GC</td> </tr> </tbody> </table>	Certification	Code	Uncertified	W	ATEX/CENELEC IIB	BB	ATEX/CENELEC IIC	BC	GOST 'R' IIB	GB	GOST 'R' IIC	GC	<table border="1"> <thead> <tr> <th>Voltage</th> <th>Code</th> </tr> </thead> <tbody> <tr> <td>12V</td> <td>012</td> </tr> <tr> <td>24V</td> <td>024</td> </tr> </tbody> </table>	Voltage	Code	12V	012	24V	024	<table border="1"> <thead> <tr> <th>Label</th> <th>Code</th> </tr> </thead> <tbody> <tr> <td>Duty</td> <td>D*</td> </tr> <tr> <td>Tag</td> <td>T*</td> </tr> <tr> <td>None</td> <td>N</td> </tr> </tbody> </table> <p>*Please specify wording</p>	Label	Code	Duty	D*	Tag	T*	None	N	<table border="1"> <thead> <tr> <th>Colour</th> <th>Code</th> </tr> </thead> <tbody> <tr> <td>Natural Red</td> <td>N</td> </tr> <tr> <td>Special</td> <td>S*</td> </tr> </tbody> </table> <p>*Please specify N.B. Natural red GRP may fade with exposure to sunlight – specify painted finish if unit is to be used outdoors.</p>	Colour	Code	Natural Red	N	Special	S*
Certification	Code																																			
Uncertified	W																																			
ATEX/CENELEC IIB	BB																																			
ATEX/CENELEC IIC	BC																																			
GOST 'R' IIB	GB																																			
GOST 'R' IIC	GC																																			
Voltage	Code																																			
12V	012																																			
24V	024																																			
Label	Code																																			
Duty	D*																																			
Tag	T*																																			
None	N																																			
Colour	Code																																			
Natural Red	N																																			
Special	S*																																			

International Safety Technology Limited  
692775  
11, Moor Road, Broadstone,  
Dorset, BH18 8AZ  
United Kingdom

Tel: +44 1202  
Fax: +44 1202 605588  
email [sales@ist-limited.com](mailto:sales@ist-limited.com)  
web [www.ist-limited.com](http://www.ist-limited.com)