

International Safety Technology Limited

**SOUNDERS - Up to 118 dB(A)
EExd(e), Weatherproof
DB3 Range**



Sounder/Beacon
Combination Unit



Introduction

This range of light weight all GRP, flameproof sounders is intended for use in potentially explosive gas and dust atmospheres and has been designed with high ingress protection to cope with the harsh environmental conditions found offshore and onshore in the oil, gas and petrochemical industries.

The flamepaths, flare and the body, are manufactured completely from a UV stable glass reinforced polyester. Stainless steel screws and sinter are incorporated thus ensuring a corrosion free product. A tapered flamepath is used to overcome the problems of assembly of parallel spigot flamepaths.

An optional Exe terminal chamber is available.

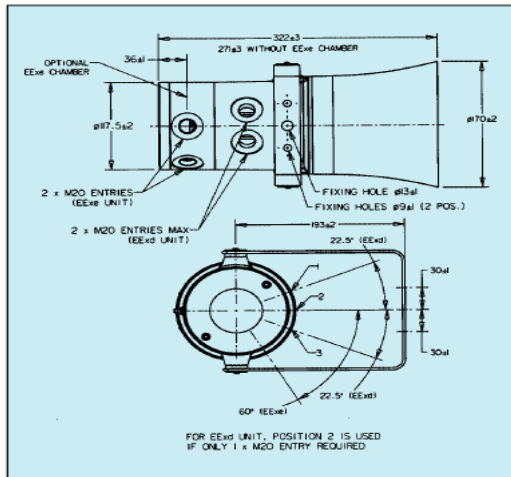
An uncertified version is available for use in non-explosive atmospheres.

- ★ Zone 1, Zone 2 and non-Ex use.
- ★ EExde IIC T5.
- ★ ATEX approved, Ex II 2GD.
- ★ Optional Exe terminal chamber.
- ★ CENELEC approved.
- ★ BASEEFA certified.
- ★ UL Listed - Class 1, Div 2, Groups A-D.
- Class 1, Zones 1 & 2, AExd IIC T4.
- ★ GOST certified.
- ★ Australian (SAA) certified.
- ★ IP66 and IP67.
- ★ *Certified temperature -55°C to +55°C.
- ★ All GRP corrosion free flamepaths.
- ★ Up to 118dB(A) output.
- ★ Integral volume control.
- ★ 27 tones, user selectable.
- ★ Tones comply with UK00A/PFEER guidelines.
- ★ Any two tones may be switched via the external voltage supply.
- ★ Tones may be programmed to customer specification.
- ★ d.c. version accepts any voltage between 12V d.c. and 48V d.c.
- ★ End of line resistor option.
- ★ Sounder/Beacon Combination Unit available.
*Depending on version.

International Safety Technology Limited
692775
11, Moor Road, Broadstone,
Dorset, BH18 8AZ
United Kingdom

Tel: +44 1202

Fax: +44 1202 605588
email sales@ist-limited.com
web www.ist-limited.com



Specification

Certification: CENELEC EN50014, 18, 19.
 BASEEFA Cert. No. BAS00ATEX2097X, EExd IIC 100°C (-55 t.amb +55°C) T5.
 BASEEFA Cert. No. BAS00ATEX2098X, EExde IIC 100°C (-55 t.amb +55°C) T5.
 Zones 1 and 2.
 UL Listed: Class 1 Div 2, Groups A-D.
 Class 1 Zones 1 & 2, AExd IIC T4.
 Listing No: E203310.
 Refer to UL datasheet at rear of catalogue for complete information.
 GOST Certification: 1Exd IIC T4 & 1Exde IIC T4.
 Cert. No. A-0759.

Material: Body & horn in anti-static, UV stable, glass reinforced polyester. Swivel bracket & captive cover screws in stainless steel.

Finish: Body and horn, natural black or epoxy paint coated to client's colour requirements.

Sound Output: 115dB(A) ± 3dB(A) (tone dependent).

Volume Control:	*Nominal Output (dBA)	Input Current (mA)
	93	50
	105	100
	108	150
	111	200
	112	250
	114	300
	115	350

*Output measured with 24V input voltage. Tone set to 970Hz continuous.

Weight: 6.0kg approx. dependent on model (+0.5kg for EExe).

Certified Temperature:	EExd	EExde	UL	GOST Exd	GOST Exde
	DB3 & DB3P	-20°C to +55°C	-20°C to +45°C	-55°C to +55°C	-20°C to +50°C
DB3L & DB3LP	-55°C to +55°C	-55°C to +55°C	n/a	-55°C to +55°C	-55°C to +55°C

Ingress Protection: IP66 and IP67.

Voltage: Up to 48V d.c. Up to 254V a.c.

Current Consumption:	V	I
	12V d.c.	760mA
24V d.c.	380mA	
48V d.c.	190mA	
110V a.c.	135mA	
120V a.c.	124mA	
220V a.c.	68mA	
240V a.c.	62mA	
254V a.c.	59mA	

Terminals:	4 x 2.5mm ² (a.c.), 6 x 2.5mm ² (d.c.).
Earth Continuity:	Included on EExde version.
Mounting:	Stainless steel bracket with ratchet facility.
Labels:	Duty and tag labels optional.
Cable Entries:	Up to 2 x 20mm EExd. 2 x 20mm EExe. Up to 2 x 1/2" NPT UL.
Tone Selection:	27 user selectable tones.
Sounder/Beacon Unit:	The DB3 may be combined with an MEDC beacon to create a combined audio/visual alarm. Contact MEDC for price and specification
Two Stage Unit DB3P:	Switchable between any two tones by either: (i) Reversing the polarity of the supply, or (ii) by a 3 wire common +ve system, switching between the two -ve lines. Note: Two stage unit available in d.c. versions only.

Ordering Requirements

The following code is designed to help in selection of the correct unit. Build up the reference number by inserting the code for each component into the appropriate box. **For standard products, available ex-stock, contact sales office for details.**

Unit Type	Certification	Voltage	Labels	Entries	Features	Colour																																																																								
<table border="1"> <thead> <tr> <th>Type</th> <th>Details</th> </tr> </thead> <tbody> <tr> <td>DB3</td> <td>Standard unit</td> </tr> <tr> <td>DB3P</td> <td>Two stage (d.c. only)</td> </tr> <tr> <td>*DB3L</td> <td>low temp. standard unit</td> </tr> <tr> <td>*DB3LP</td> <td>Low temp. two stage (d.c. only)</td> </tr> </tbody> </table> <p>*Available unpainted only.</p>	Type	Details	DB3	Standard unit	DB3P	Two stage (d.c. only)	*DB3L	low temp. standard unit	*DB3LP	Low temp. two stage (d.c. only)	<table border="1"> <thead> <tr> <th>Type</th> <th>Code</th> </tr> </thead> <tbody> <tr> <td>Uncertified</td> <td>W</td> </tr> <tr> <td>EExd</td> <td>D</td> </tr> <tr> <td>EExde</td> <td>E</td> </tr> <tr> <td>UL Listed</td> <td>UL</td> </tr> <tr> <td>GOST Exd</td> <td>DG</td> </tr> <tr> <td>GOST Exde</td> <td>EG</td> </tr> </tbody> </table>	Type	Code	Uncertified	W	EExd	D	EExde	E	UL Listed	UL	GOST Exd	DG	GOST Exde	EG	<table border="1"> <thead> <tr> <th>Voltage</th> <th>Code</th> </tr> </thead> <tbody> <tr> <td>12V - 48V d.c.</td> <td>048</td> </tr> <tr> <td>*110V a.c.</td> <td>110</td> </tr> <tr> <td>*120V a.c.</td> <td>120</td> </tr> <tr> <td>*220V a.c.</td> <td>220</td> </tr> <tr> <td>*240V a.c.</td> <td>240</td> </tr> <tr> <td>*254V a.c.</td> <td>254</td> </tr> </tbody> </table> <p>*DB3P not available in a.c. version.</p>	Voltage	Code	12V - 48V d.c.	048	*110V a.c.	110	*120V a.c.	120	*220V a.c.	220	*240V a.c.	240	*254V a.c.	254	<table border="1"> <thead> <tr> <th>Label</th> <th>Code</th> </tr> </thead> <tbody> <tr> <td>Duty</td> <td>D*</td> </tr> <tr> <td>Tag</td> <td>T*</td> </tr> <tr> <td>None</td> <td>N</td> </tr> </tbody> </table> <p>*Please specify wording</p>	Label	Code	Duty	D*	Tag	T*	None	N	<table border="1"> <thead> <tr> <th>Entries</th> <th>Code</th> </tr> </thead> <tbody> <tr> <td>1 x 20mm (EExd)</td> <td>1B</td> </tr> <tr> <td>2 x 20mm (EExd/EExde)</td> <td>2B</td> </tr> <tr> <td>1 x 1/2" NPT (UL only)</td> <td>1C</td> </tr> <tr> <td>2 x 1/2" NPT (UL only)</td> <td>2C</td> </tr> </tbody> </table>	Entries	Code	1 x 20mm (EExd)	1B	2 x 20mm (EExd/EExde)	2B	1 x 1/2" NPT (UL only)	1C	2 x 1/2" NPT (UL only)	2C	<table border="1"> <thead> <tr> <th>Features</th> <th>Code</th> </tr> </thead> <tbody> <tr> <td>None</td> <td>N</td> </tr> <tr> <td>End of line resistor</td> <td>E*</td> </tr> <tr> <td>Bell tone</td> <td>O</td> </tr> </tbody> </table> <p>*State value.</p>	Features	Code	None	N	End of line resistor	E*	Bell tone	O	<table border="1"> <thead> <tr> <th>Colour</th> <th>Code</th> </tr> </thead> <tbody> <tr> <td>Natural Black</td> <td>N</td> </tr> <tr> <td>Red</td> <td>R</td> </tr> <tr> <td>Special</td> <td>S*</td> </tr> </tbody> </table> <p>*Please specify</p>	Colour	Code	Natural Black	N	Red	R	Special	S*
Type	Details																																																																													
DB3	Standard unit																																																																													
DB3P	Two stage (d.c. only)																																																																													
*DB3L	low temp. standard unit																																																																													
*DB3LP	Low temp. two stage (d.c. only)																																																																													
Type	Code																																																																													
Uncertified	W																																																																													
EExd	D																																																																													
EExde	E																																																																													
UL Listed	UL																																																																													
GOST Exd	DG																																																																													
GOST Exde	EG																																																																													
Voltage	Code																																																																													
12V - 48V d.c.	048																																																																													
*110V a.c.	110																																																																													
*120V a.c.	120																																																																													
*220V a.c.	220																																																																													
*240V a.c.	240																																																																													
*254V a.c.	254																																																																													
Label	Code																																																																													
Duty	D*																																																																													
Tag	T*																																																																													
None	N																																																																													
Entries	Code																																																																													
1 x 20mm (EExd)	1B																																																																													
2 x 20mm (EExd/EExde)	2B																																																																													
1 x 1/2" NPT (UL only)	1C																																																																													
2 x 1/2" NPT (UL only)	2C																																																																													
Features	Code																																																																													
None	N																																																																													
End of line resistor	E*																																																																													
Bell tone	O																																																																													
Colour	Code																																																																													
Natural Black	N																																																																													
Red	R																																																																													
Special	S*																																																																													

International Safety Technology Limited
 692775
 11, Moor Road, Broadstone,
 Dorset, BH18 8AZ
 United Kingdom

Tel: +44 1202
 Fax: +44 1202 605588
 email sales@ist-limited.com
 web www.ist-limited.com