

International Safety Technology Limited

SPEAKERS – Up to 15 Watts for Harsh Industrial & Marine Environments DB14 Range

IP66/67
Weatherproof
Corrosion Free
All GRP



Introduction

This range of loudspeakers has a power rating of 15 Watts and is suitable for use in demanding environments where a robust construction and high ingress protection rating is required.

The body is manufactured completely from a UV stable glass reinforced polyester which is also highly flame retardant and impact resistant. Stainless steel screws are incorporated thus ensuring a corrosion free product.

MEDC can also provide a range of speakers suitable for use in potentially explosive atmospheres.

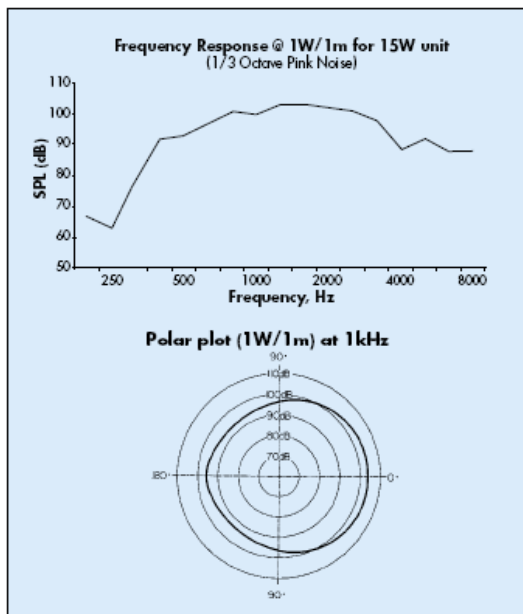
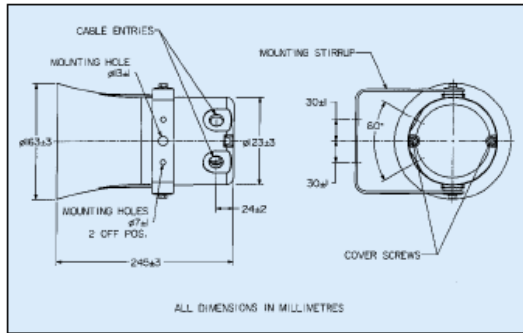
For more information, refer to the catalogue or contact MEDC.

- ★ IP66 and IP67.
- ★ Temperature range -55°C to $+70^{\circ}\text{C}$.
- ★ GRP corrosion-free construction.
- ★ 117dBA at 15 watts at 1 metre.
- ★ 100V line transformer.
- ★ Power tapings, via integral transformer.
- ★ Addressable capability.
- ★ Stainless steel ratcheted mounting bracket.
- ★ Earth continuity available.
- ★ Natural grey finish to RAL 7035.
- ★ BS5839 part 8 compliant version available.

International Safety Technology Limited
692775
11, Moor Road, Broadstone,
Dorset, BH18 8AZ

Tel: +44 1202

Fax: +44 1202 605588
email sales@ist-limited.com



Specification

Rated Power:	15 watts RMS continuous (at 25°C).
Material:	Body & horn in UV stable, glass reinforced polyester. Swivel bracket in stainless steel. Cover screws in stainless steel.
Finish:	Body and horn, natural grey to RAL 7035 or epoxy paint coated to client's colour requirements.
Output:	Maximum output at 1W/1m at 900Hz is 107 dBA. Maximum output at 15W/1m at 900Hz is 117 dBA.
Weight:	2.6kg approx. dependent on model.
Temperature Range:	-55°C to +70°C.
Ingress Protection:	IP66 & IP67.
Frequency Range:	400Hz to 7kHz.
Voice Coil Impedance:	8 ohms.
Addressable:	Consult MEDC for specification.
Terminals:	8 x 2.5mm ² . Other terminal arrangements available on request.
Earth Continuity:	Available.
Mounting:	Bracket with ratchet facility.
Labels:	Duty and tag labels optional.
Cable Entries:	2 x 20mm ISO.
Transformer:	Used to vary the rated power by selecting different tappings (see table below).

Transformer Tappings	Power 15W
1:2	15.0
2:3	7.5
3:4	5.0
1:3	4.0
2:4	2.0
1:4	0.8

- Transformer Options:**
- i) Standard Tapping: Loop in/Loop out (4 x 2) terminal tap change (8 terminals).
 - ii) Optional Tapping: 4 terminal tap change with 2 terminals (5 & 6), directly connected to driver (8 ohms).
- Other tappings & driver impedances available on request.

Ordering Requirements

The following code is designed to help in the selection of the correct unit. Build up the reference number by inserting the code for each component into the appropriate box. **Standard products, available ex-stock, as follows:**

Product	Description
DB14XNN	15 Watt Industrial & Marine Loudspeaker, up to 117dB(A), 2 x 20mm entries, natural grey GRP.

Transformer	Option	Colour																																									
<table border="1"> <tr> <td>DB14</td> <td></td> <td></td> </tr> <tr> <td>Transformer</td> <td>Code</td> <td></td> </tr> <tr> <td>Yes</td> <td>X*</td> <td></td> </tr> <tr> <td>None</td> <td>N</td> <td></td> </tr> <tr> <td colspan="3">*Standard 100V Other voltages available, specify voltage.</td> </tr> </table>	DB14			Transformer	Code		Yes	X*		None	N		*Standard 100V Other voltages available, specify voltage.			<table border="1"> <tr> <td>Option</td> <td>Code</td> </tr> <tr> <td>Duty label</td> <td>D*</td> </tr> <tr> <td>Tag label</td> <td>T*</td> </tr> <tr> <td>Earth continuity</td> <td>E</td> </tr> <tr> <td>BS5839, part 8 compliant</td> <td>PT8</td> </tr> <tr> <td>Blanking Plug</td> <td>P</td> </tr> <tr> <td>None</td> <td>N</td> </tr> <tr> <td colspan="2">*Please specify wording</td> </tr> </table>	Option	Code	Duty label	D*	Tag label	T*	Earth continuity	E	BS5839, part 8 compliant	PT8	Blanking Plug	P	None	N	*Please specify wording		<table border="1"> <tr> <td>Colour</td> <td>Code</td> </tr> <tr> <td>Natural Grey</td> <td>N</td> </tr> <tr> <td>Red</td> <td>R</td> </tr> <tr> <td>Special</td> <td>S*</td> </tr> <tr> <td colspan="2">*Please specify</td> </tr> </table>	Colour	Code	Natural Grey	N	Red	R	Special	S*	*Please specify	
DB14																																											
Transformer	Code																																										
Yes	X*																																										
None	N																																										
*Standard 100V Other voltages available, specify voltage.																																											
Option	Code																																										
Duty label	D*																																										
Tag label	T*																																										
Earth continuity	E																																										
BS5839, part 8 compliant	PT8																																										
Blanking Plug	P																																										
None	N																																										
*Please specify wording																																											
Colour	Code																																										
Natural Grey	N																																										
Red	R																																										
Special	S*																																										
*Please specify																																											

International Safety Technology Limited
692775
11, Moor Road, Broadstone,
Dorset, BH18 8AZ

Tel: +44 1202

Fax: +44 1202 605588
email sales@ist-limited.com

United Kingdom

web www.ist-limited.com