

International Safety Technology Limited

SOUNDERS – Up to 113 dB(A)
Exsd, Weatherproof
DB1 Range



Introduction

This range of light weight, flameproof Sounders has been designed with a high weatherproof rating to cope with the harsh environmental conditions found offshore and onshore in the oil, gas and petrochemical industries.

New electronic circuitry allows the DB1P and DB1HP to be switched between two selectable tones by either reversing the supply polarity, or connecting a second voltage supply.

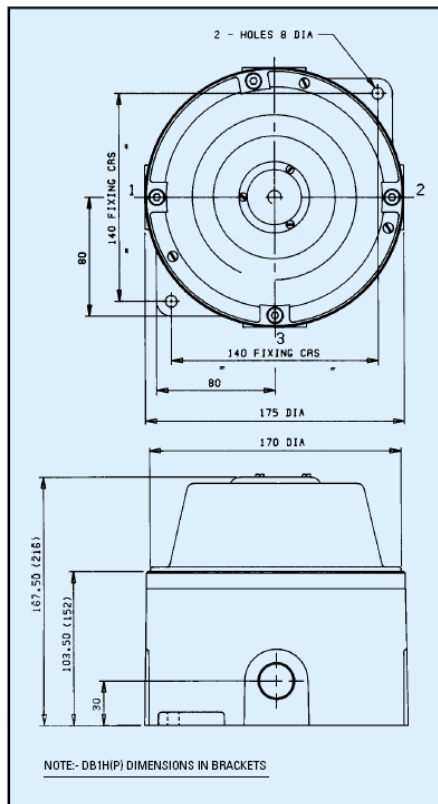
The higher output DB1H and DB1HP are particularly suitable for noisy environments.

- ★ Zone 1 and Zone 2 use.
- ★ EExd, IIB T3.
- ★ ATEX approved, Ex II 2G.
- ★ CENELEC approved, BASEEFA certified.
- ★ UL Listed – Class I, Div 1. Groups C & D.
- ★ GOST 'R' certified.
- ★ Australian (SAA) certified.
- ★ IP66.
- ★ Certified temperature -20°C to $+70^{\circ}\text{C}$.
- ★ Up to 113 dBA output.
- ★ Available in marine grade alloy or stainless steel.
- ★ 6 or 27 output tones, user selectable.
- ★ Telephone initiate option.
- ★ Tones can be selected remotely.
- ★ Tones comply with UKOOA/PFEER guidelines.
- ★ Any two tones may be switched via the external voltage supply.
- ★ End of line resistor option.

International Safety Technology Limited
692775
11, Moor Road, Broadstone,
Dorset, BH18 8AZ
United Kingdom

Tel: +44 1202

Fax: +44 1202 605588
email sales@ist-limited.com
web www.ist-limited.com



Specification

Certification: EN50014, 18.
 Certificate Nos:
 Baseefa 02ATEX0207 EExd IIB T3 for DB1(P) and
 Baseefa 02ATEX0209 EExd IIB T3 for DB1H(P).
 Zones 1 & 2.
UL Listing: Class I, Div 1, Groups C & D. Listing No. E187688.
 Refer to UL data sheet at rear of catalogue for complete information.
GOST 'R' Certification: 1Exd IIB T4 (DB1 & DB1P only).
 Cert. No. A-6806.

Material: UM25 corrosion resistant alloy or ANC4B stainless steel with stainless steel cover screws.
 Finish: Epoxy paint finish as standard or to customer's specification.
 Max Sound Levels: DB1(P)=103±3dB(A) (96±3dB(A) for 12V DB1).
 DB1H(P)=110±3dB(A) @ 1 metre.
 Note: Sound level is dependent upon the tone selection.
 Weight: DB1(P) 3.5 Kg Alloy, 8.3 Kg stainless.
 DB1H(P) 5.6 Kg Alloy, 12.7 Kg stainless.
 Certified: ATEX/CENELEC -20°C to +55°C (DB1 & DB1P).
 Temperature: ATEX/CENELEC -20°C to +70°C (DB1H & DB1HP).
 UL -25°C to +70°C.
 Ingress Protection: IP66.
 Tone Selection: DB1 & DB1H.
 A1 Low tone constant and high tone constant.
 B1 High tone constant.
 C1 Low tone interrupted and high tone constant.
 A2 Low tone constant and high tone interrupted.
 B2 High tone interrupted.
 C2 Alternating low/high tone (yodol).
 Frequencies: High tone - 2600Hz.
 Low tone - 2300Hz.
 Tone Selection: DB1P & DB1HP.
 27 user selectable tones including, PFEER/UKOOA tones.
 Two Stage Unit: Switchable between any two of the 27 tones by either:
 (i) Reversing the polarity of the supply, or
 (ii) by a 3 wire common +ve system, switching between the two -ve lines.

Current Consumption:	DB1(P)	DB1H(P)
12V	125mA	900mA
24V	250mA	700mA
48V	250mA	-
120V	60mA	200mA
240V	30mA	100mA

Labels: Duty and tag labels optional.
 Entries: Up to 3 x 25mm or 20mm ISO.
 Terminals: Suitable to accept up to 4mm² cable.

Ordering Requirements

The following code is designed to help in the selection of the correct unit. Build up the reference number by inserting the code for each component into the appropriate box.

Unit Type	Certification	Material	Voltage	Cable Entries	Duty Labels	Tag Label	Features	Finish
DB1 DB1H DB1P DB1HP	ATEX/CENELEC UL (DB1P & DB1HP only) GOST 'R' (DB1 & DB1P only) UL - Available Alloy only. - 12V d.c., 24V d.c., 48V d.c. 110V a.c. only.	Alloy A Stainless Steel S	12V d.c. 012 24V d.c. 024 48V d.c. DB1(P) only 048 110V a.c. 110 240V a.c. 240	20mm A 25mm B 1/2" NPT (UL Only) C 3/4" NPT (UL Only) D LHS 1 RHS 2 Bottom 3 *Prefix position with entry size code e.g. A1A3 = 20mm left and bottom entries.	None N Yes Y (Please specify)	Required Y Not required N	Not required N Telephone Initiate T Relay Initiate R Remote S End of line resistor E*	Red R Grey G Special S

*Features not available on DB1P & DB1HP versions.
 (*State value.)

International Safety Technology Limited
 692775
 11, Moor Road, Broadstone,
 Dorset, BH18 8AZ
 United Kingdom

Tel: +44 1202

Fax: +44 1202 605588
 email sales@ist-limited.com
 web www.ist-limited.com